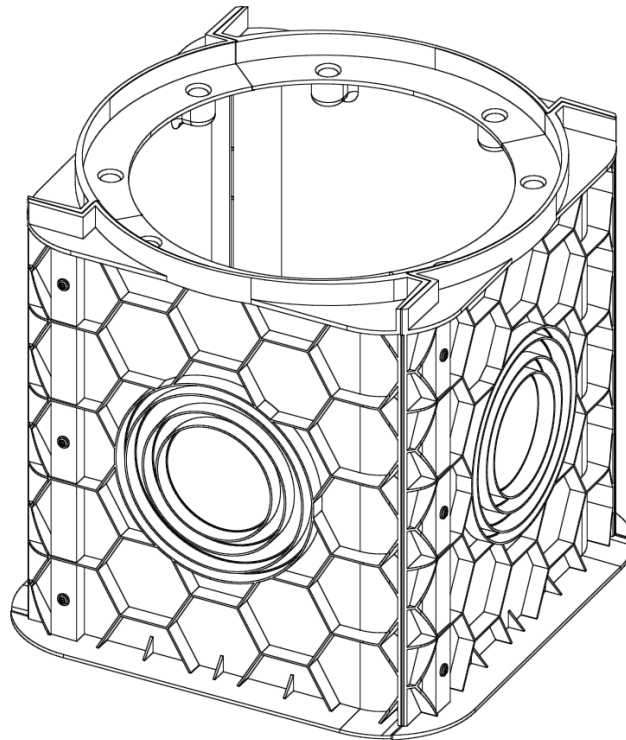


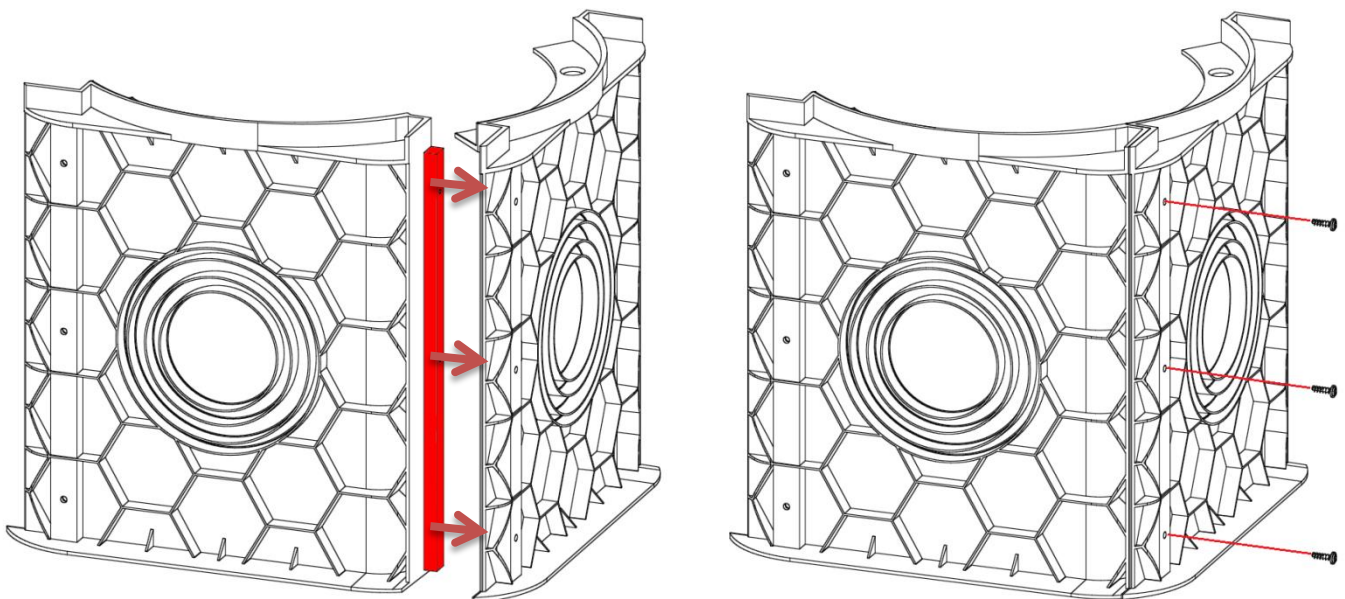
POB 30

The Parvis's and Mana's anchoring cablepits is provided disassembled and is composed of 4 lateral sides and 3 screws for each side.

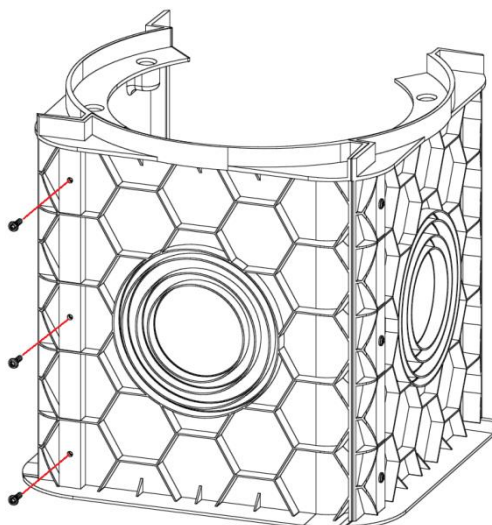


ASSEMBLING THE CABLEPIT

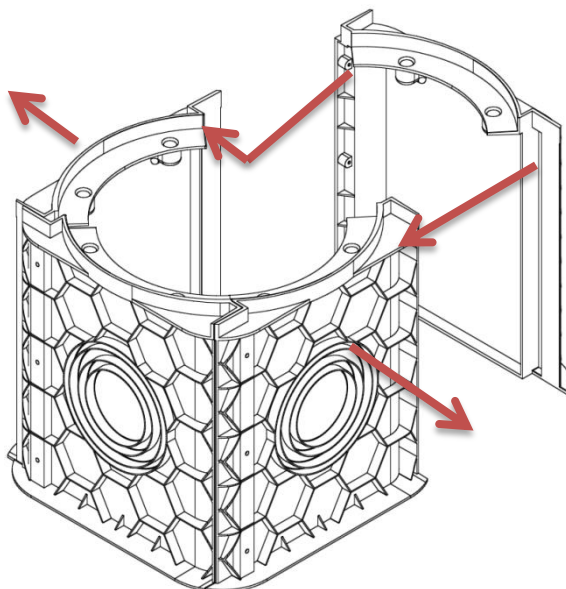
1. Match the highlighted edge in the slot into other section and fix with screws



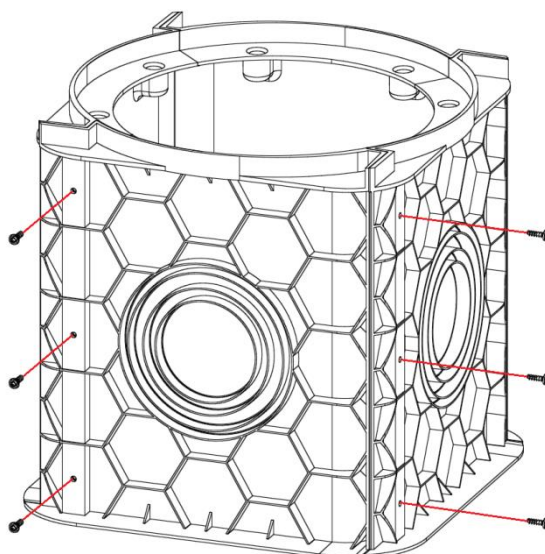
2. Insert the third section in the same way and fix with screws.



3. Enlarge the walls to allow to join the last section of the cablepit.

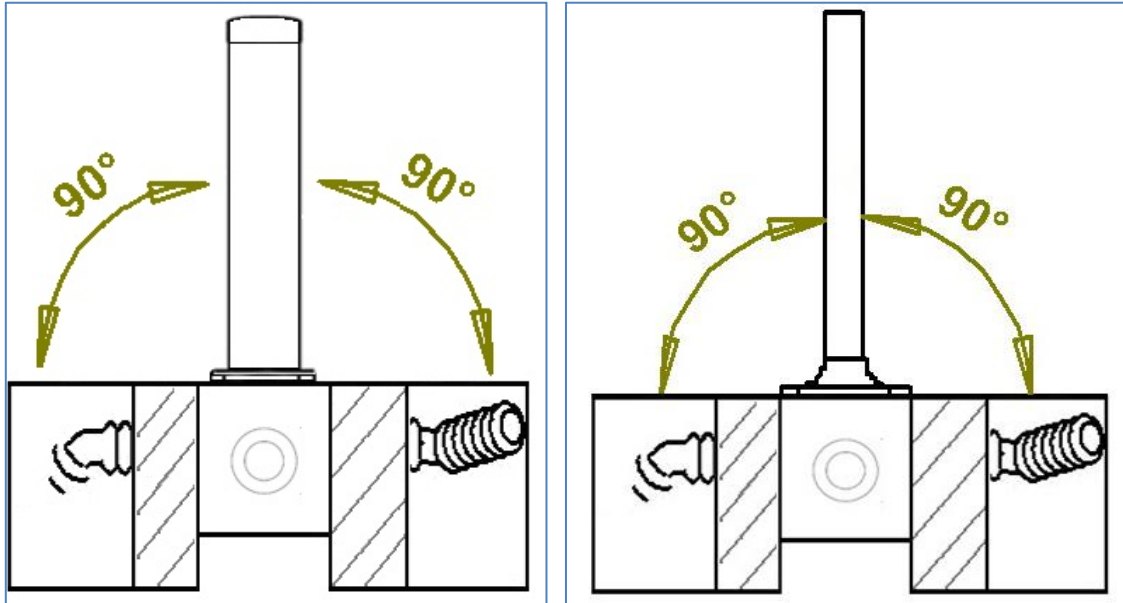


4. Insert and fix the screws in the other sides.



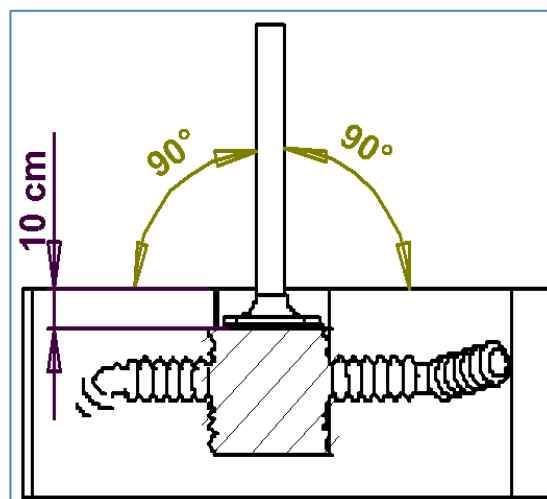
POSITIONING OF THE CABLEPIT

The placement of the cablepit for the columns MANA and PARVIS is made by concrete all around and not at the bottom, keeping the top edge same level of ground



For columns PARVIS is possible to keep the top edge ten centimeters below the level of the ground so that it is visible only the IR tube.

This type of placement is possible only when the cablepit is fixed directly into the ground and not in concrete or pavement.

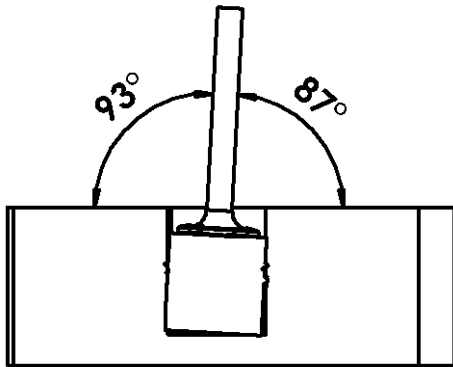


POSSIBLE CORRECTION OF THE INCORRECT POSITIONING

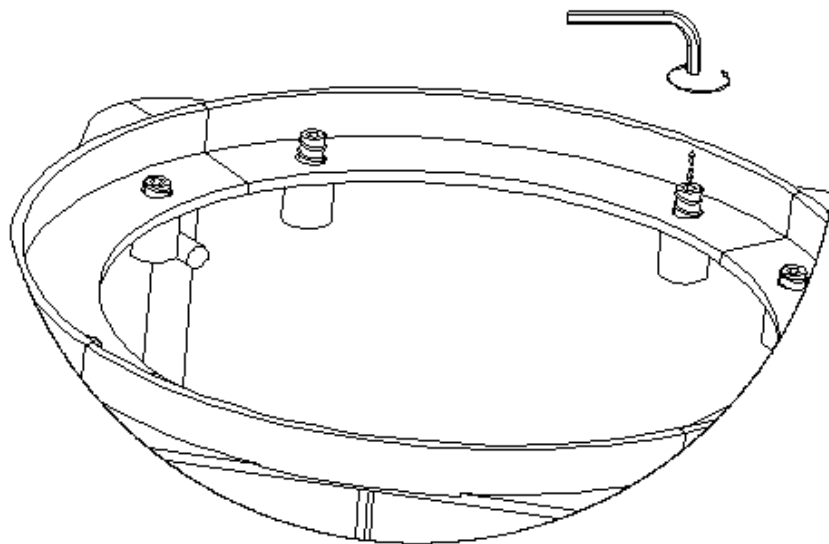
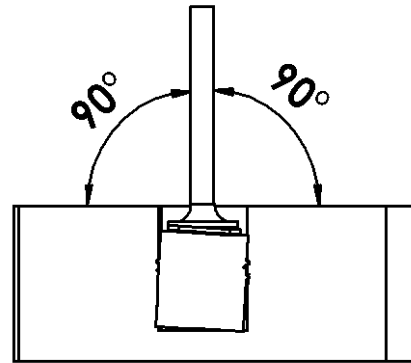
Placement should be perpendicular to the ground. If the base is not in perfectly level, you can make small adjustments through the regulation of the inserts in the cablepit.

Loosening the insert on the side to correct inclination you get the increase to the correct position

WRONG POSITIONING



CORRECT POSITIONING BY ADJUSTING INSERTS



EXAMPLE OF SETTING